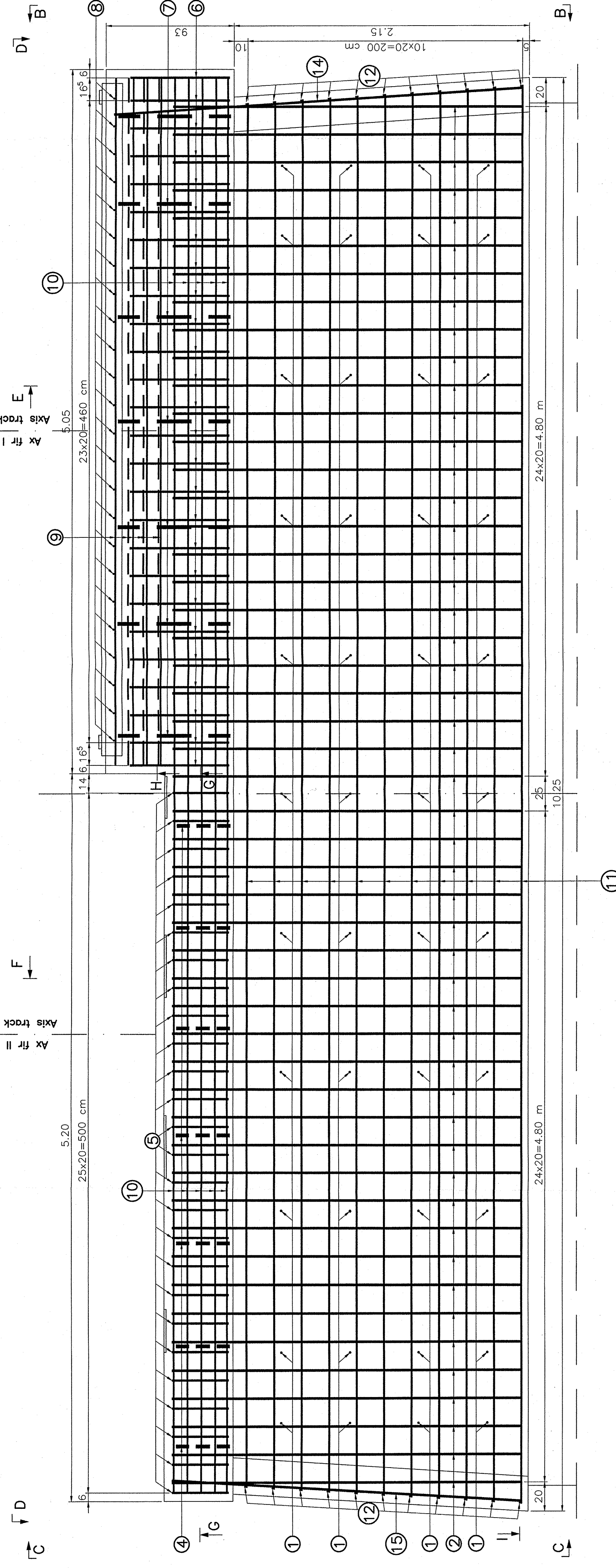
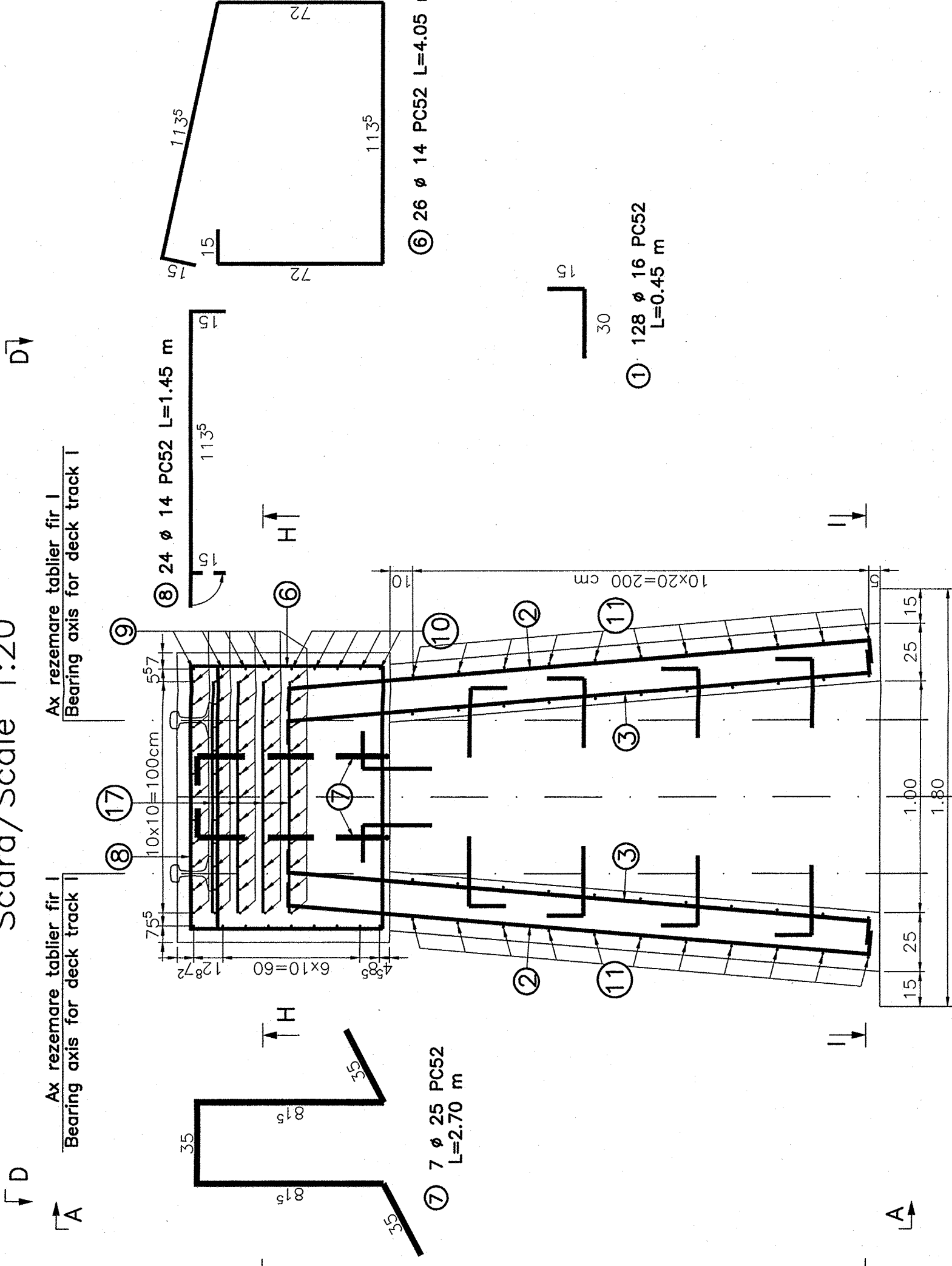


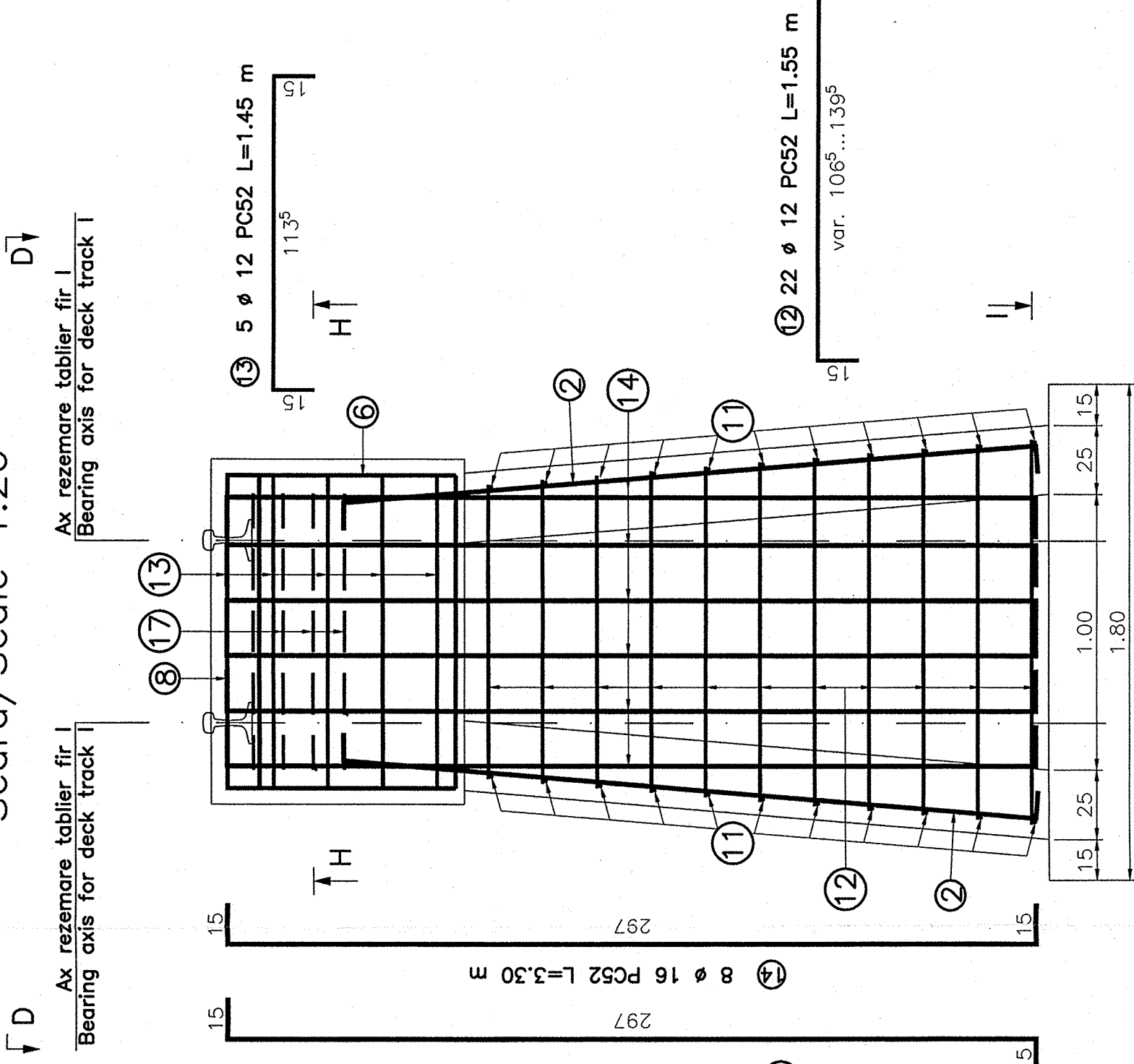
VEDERE DIN FATA A-A/Front View A-A
Scara/Scale 1:20



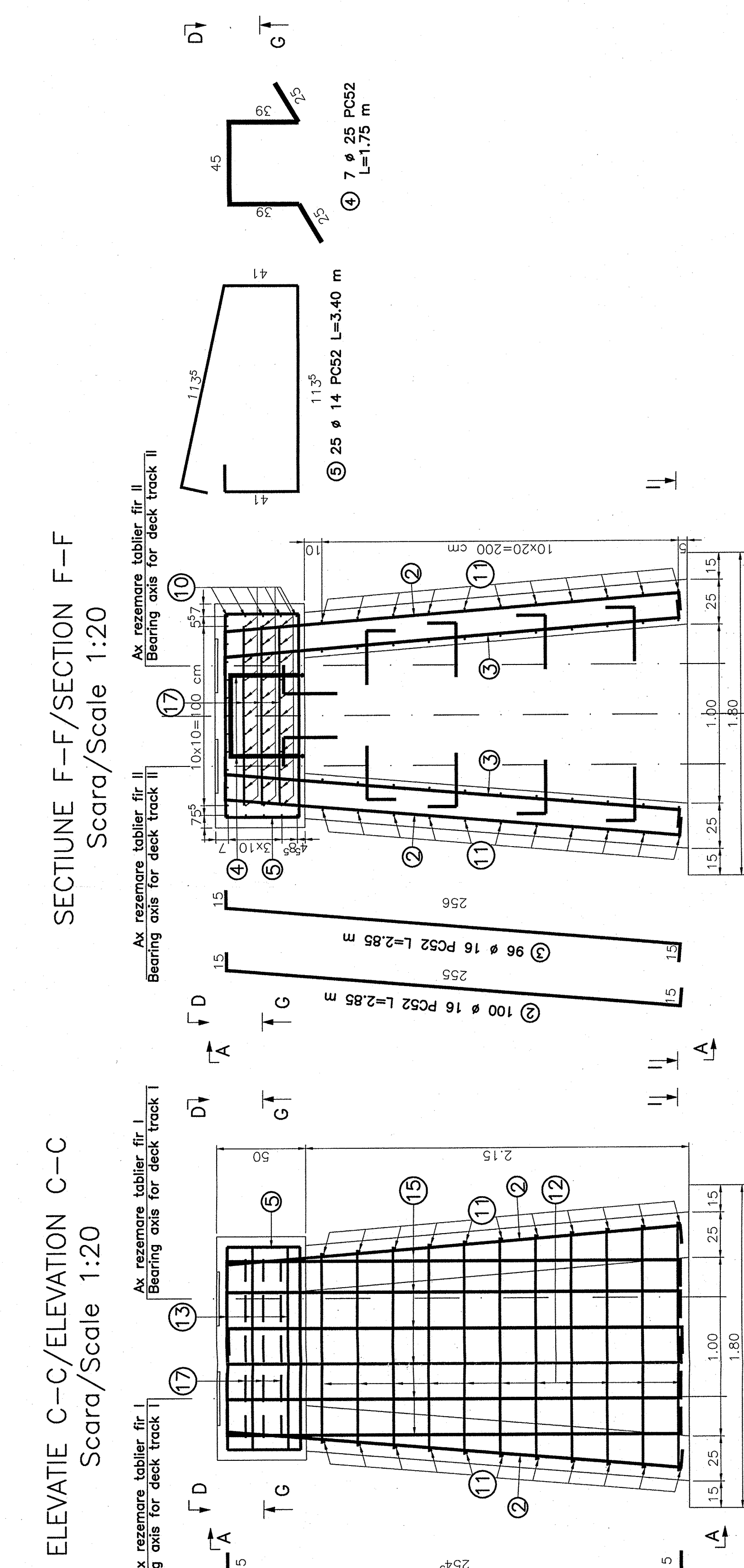
SECTIUNE E-E/SECTION E-E
Scara/Scale 1:20



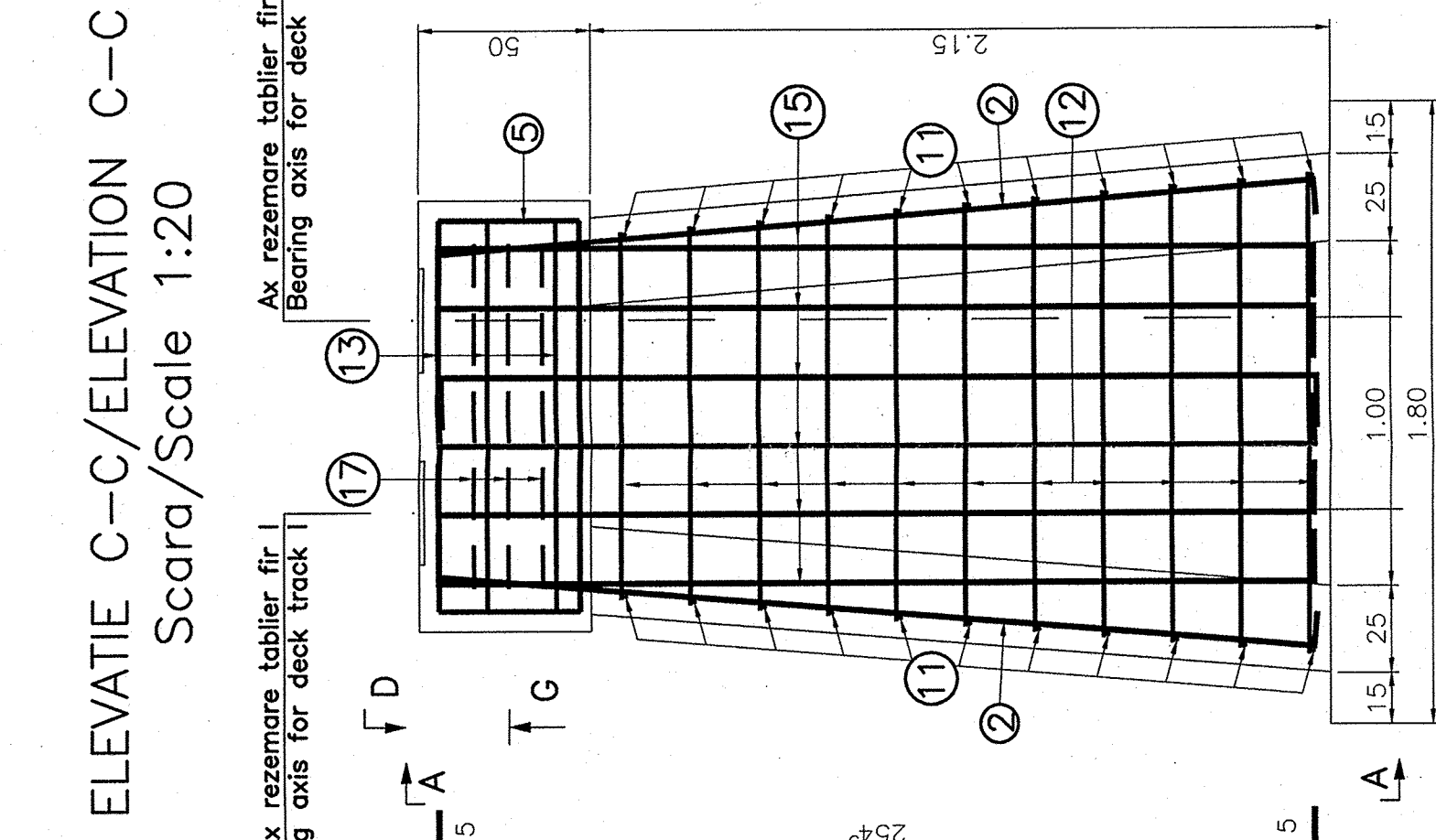
ELEVATIE B-B/ELEVATION B-B
Scara/Scale 1:20



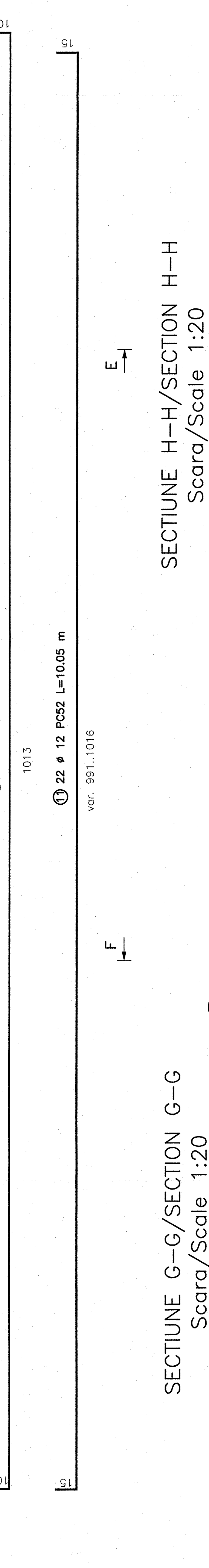
SECTIUNE F-F/SECTION F-F
Scara/Scale 1:20



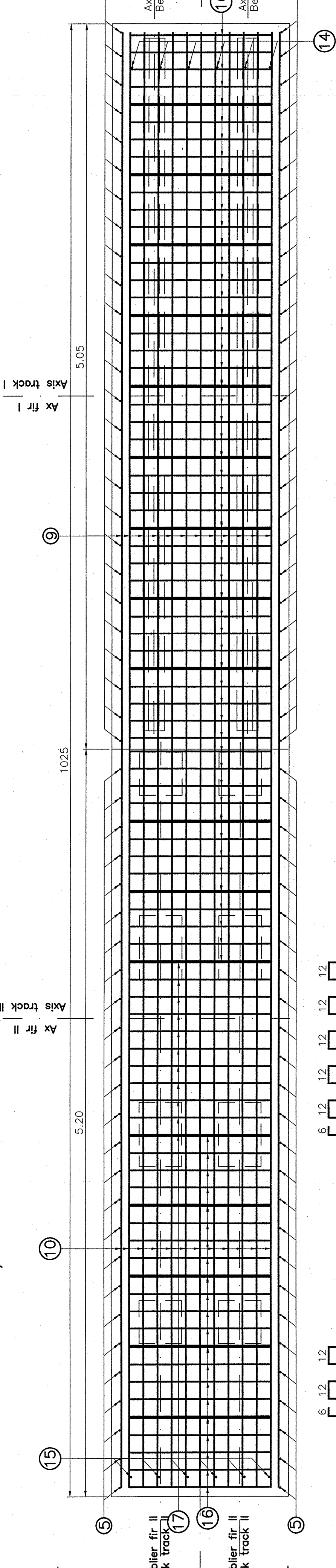
ELEVATIE C-C/ELEVATION C-C
Scara/Scale 1:20



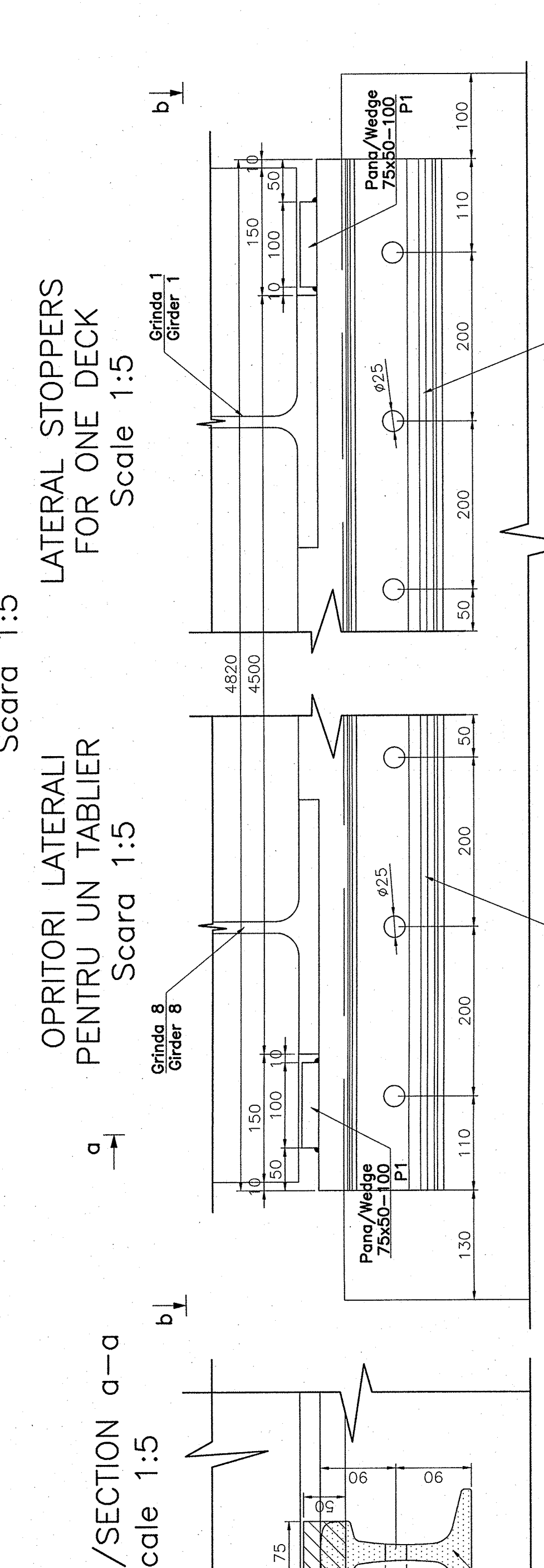
SECTIUNE G-G/SECTION G-G
Scara/Scale 1:20



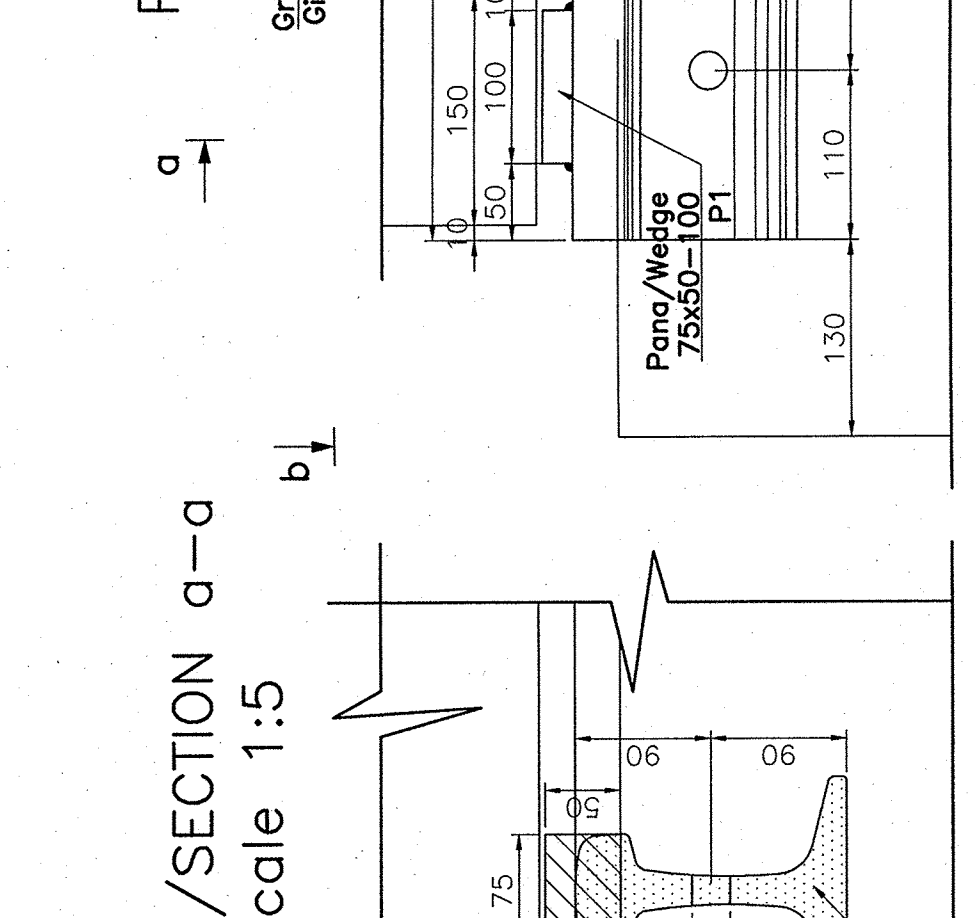
SECTIUNE H-H/SECTION H-H
Scara/Scale 1:20



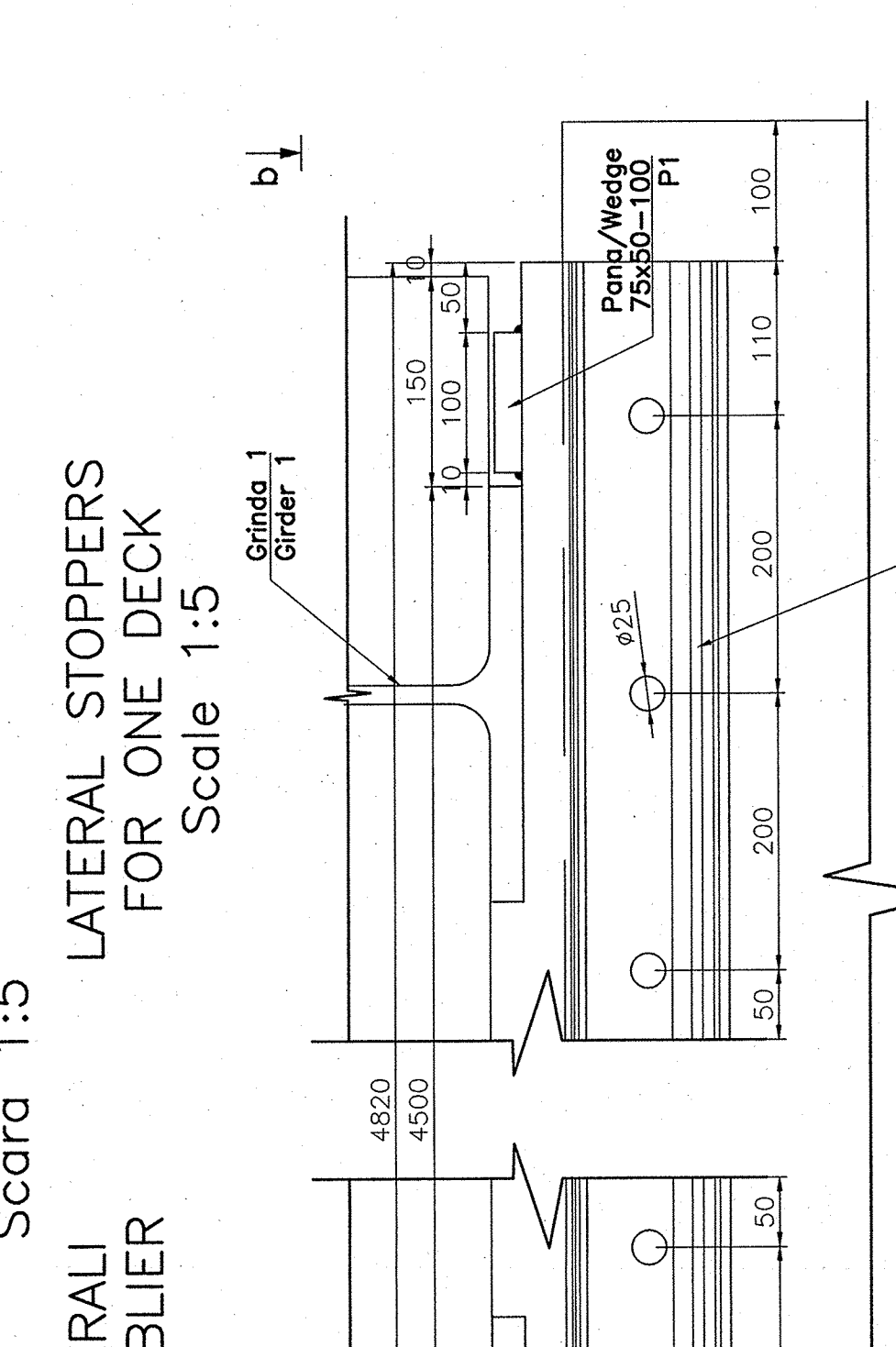
DETALIU "A"
Scara 1:5



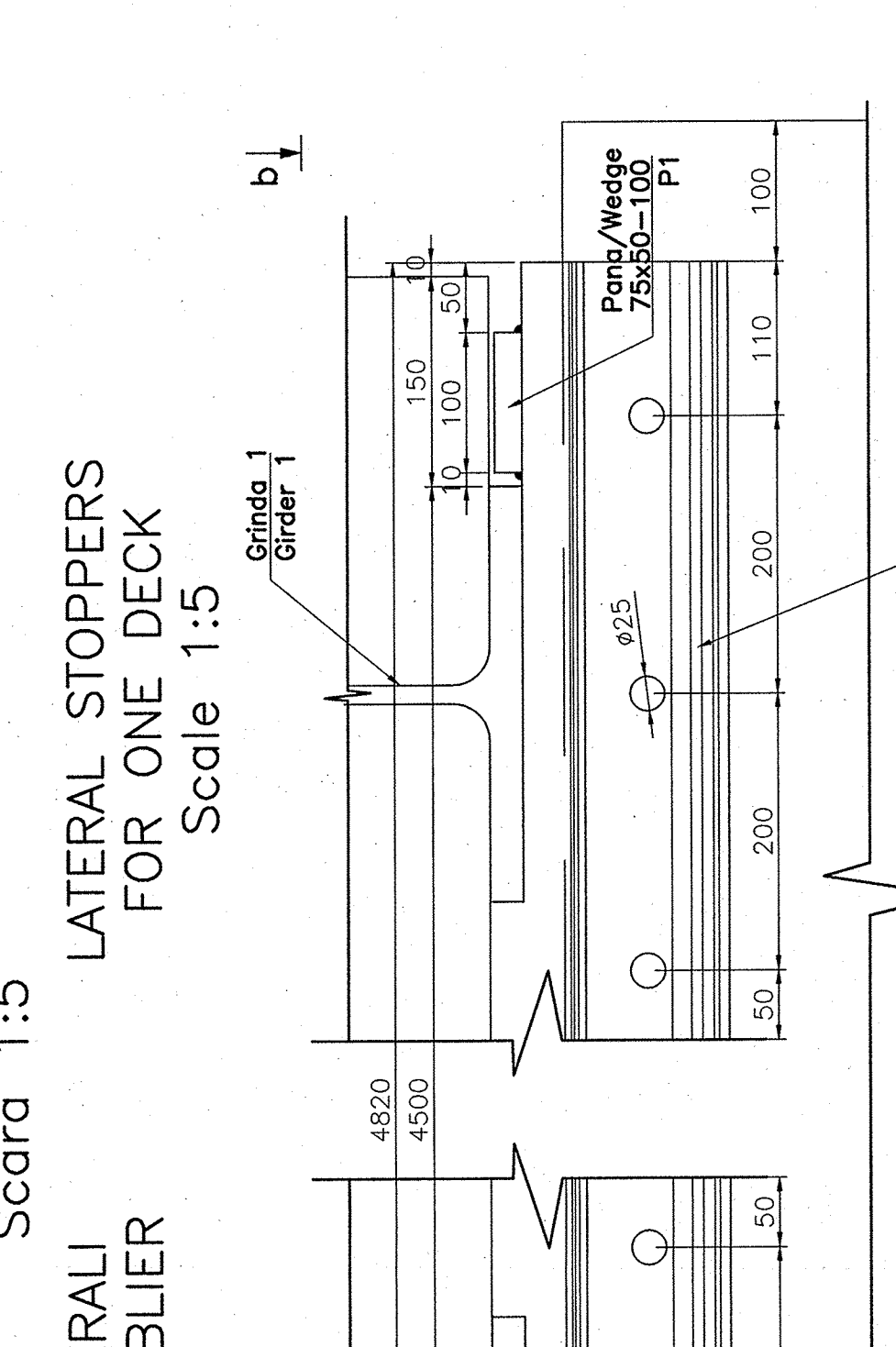
SECTIUNE a-a/SECTION a-a
Scara/Scale 1:5



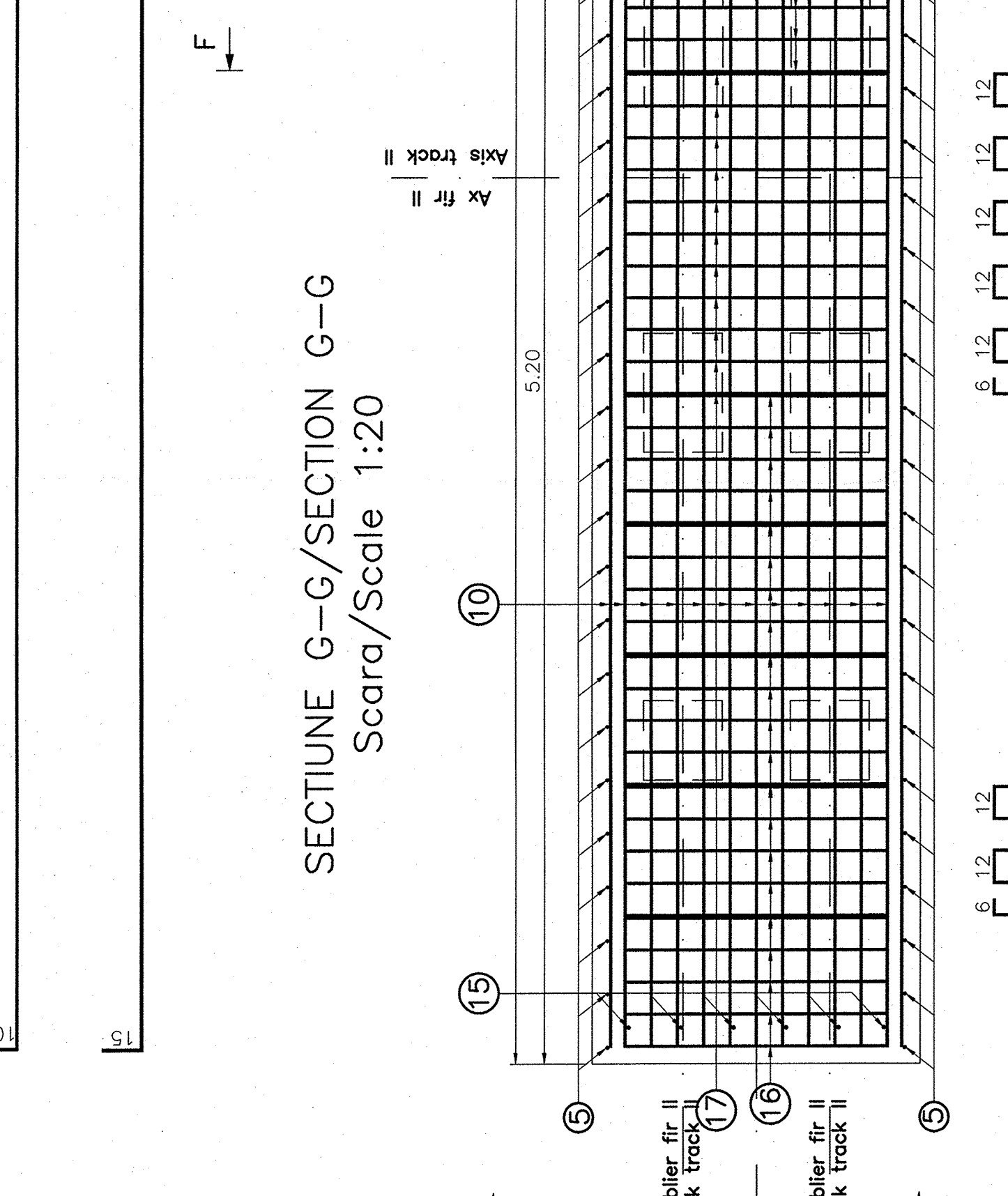
OPRITORI LATERALI
PENTRU UN TABLIER
Scara 1:5



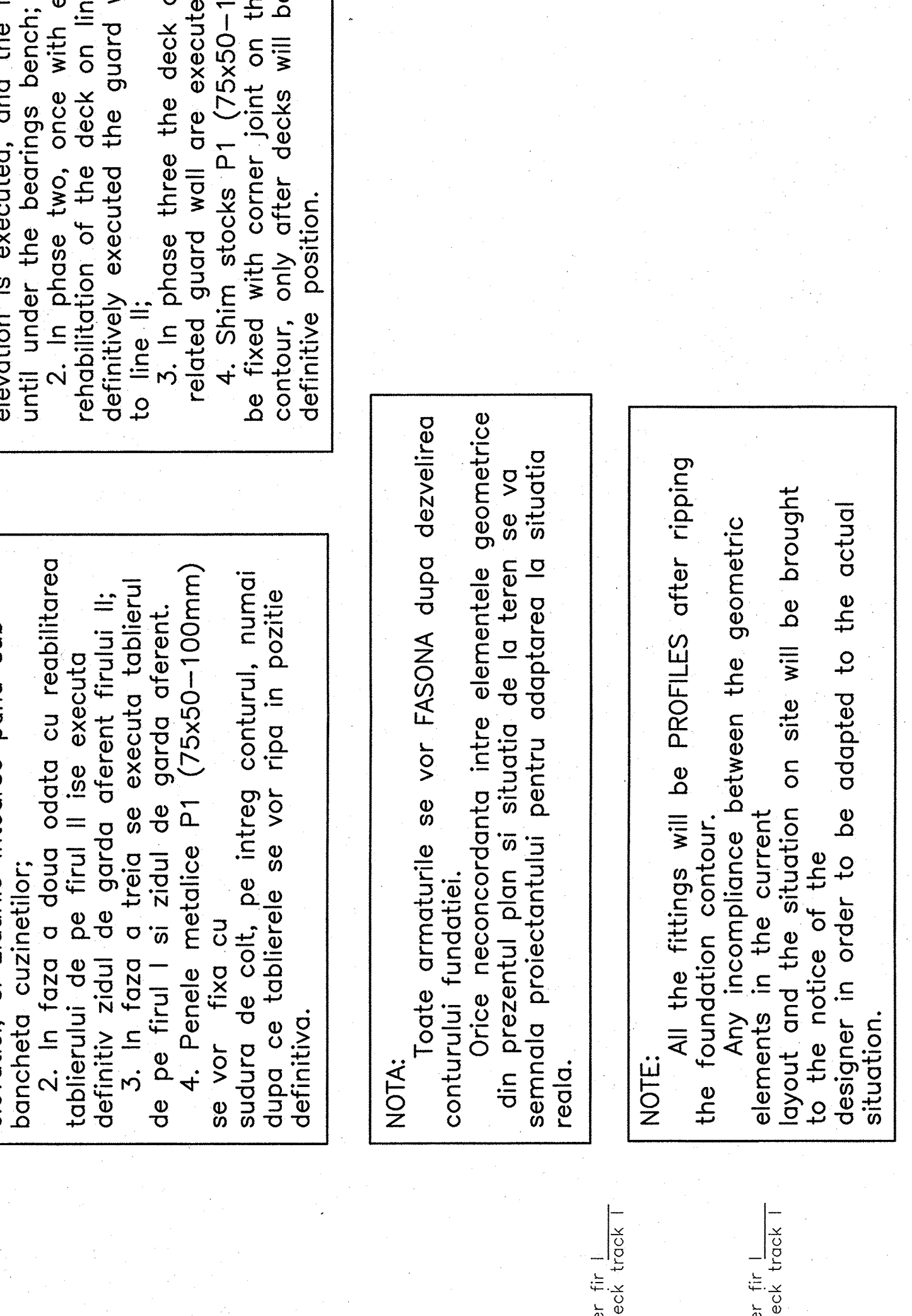
SECTIUNE b-b/SECTION b-b
Scara/Scale 1:5



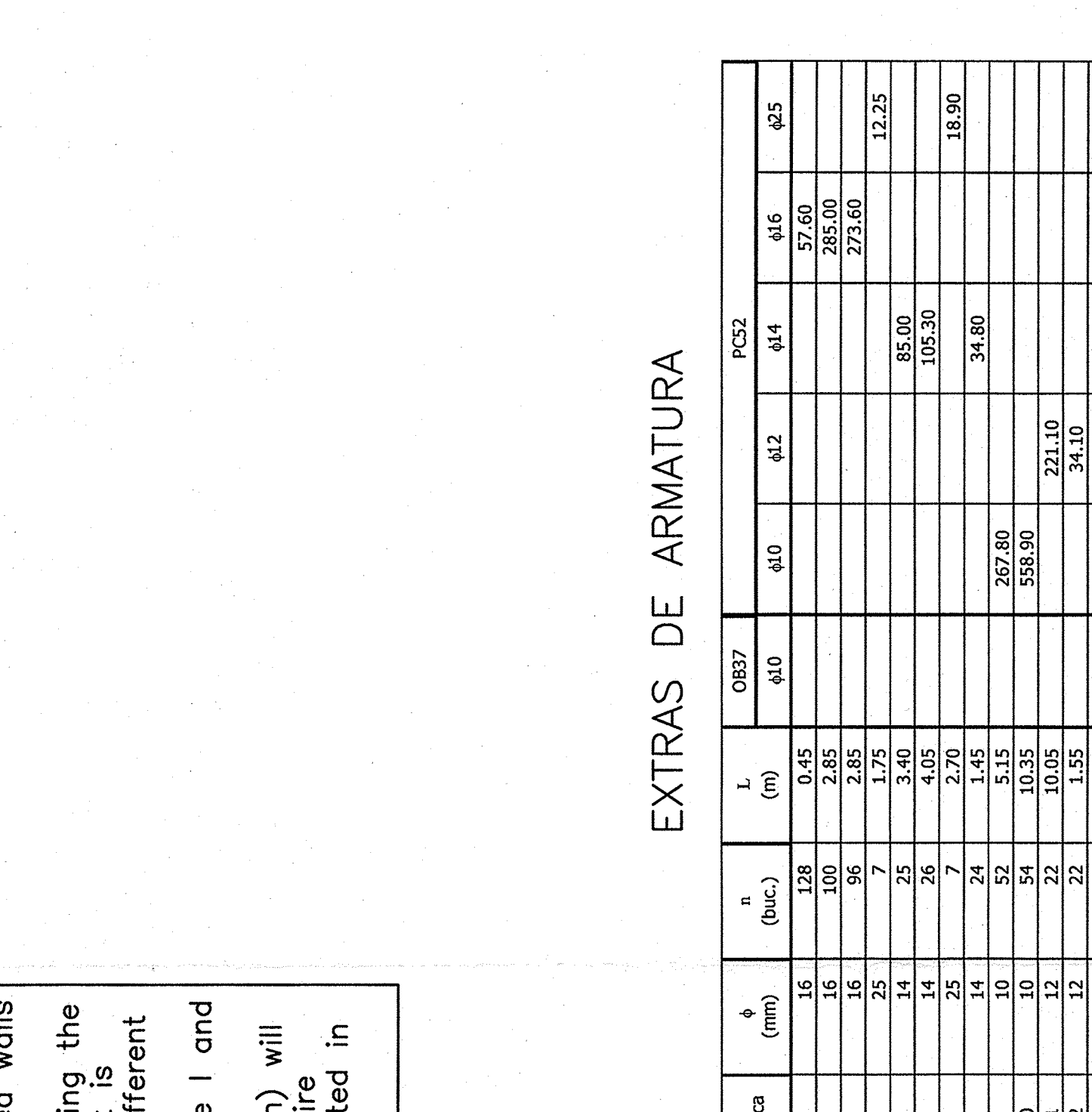
SECTIUNE I-I/SECTION I-I
Scara/Scale 1:20



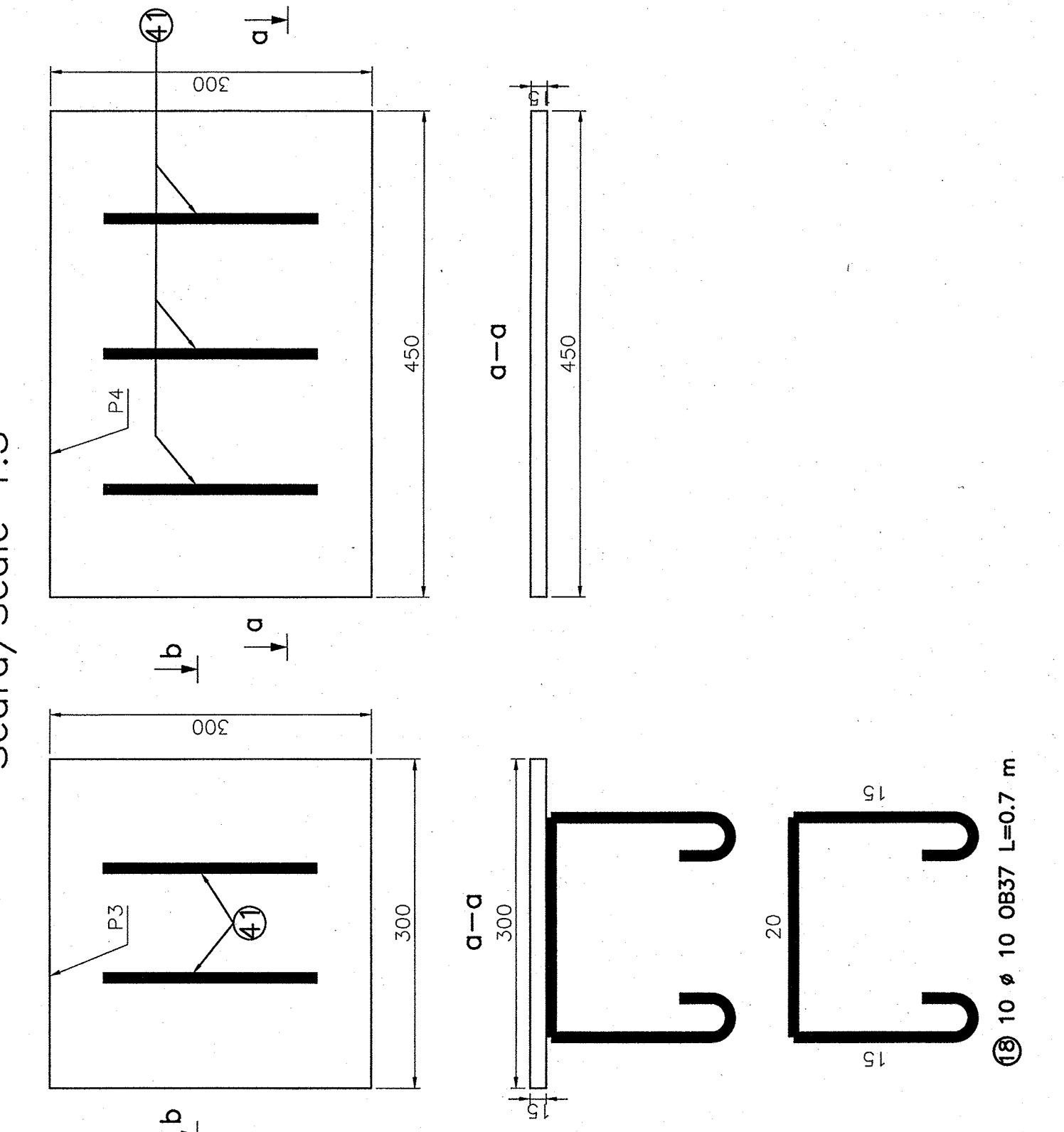
SECTIUNE E-E/SECTION E-E
Scara/Scale 1:20



ELEVATIE B-B/ELEVATION B-B
Scara/Scale 1:20



DETALII PLACUTE DE REZEMARE TABLIER EXISTENT
DETAILS BEARING PLATE FOR EXISTING DECK
Scara/Scale 1:5



EXTRAS DE ARMATURA

Nr. in	Nr. in	l	l	PC32	PC32
(mm)	(mm)	(m)	(m)	(m)	(m)
1	10	128	0.95	37.00	405
2	10	96	2.85	271.00	
3	10	96	2.85	271.00	
4	10	96	2.85	271.00	
5	10	96	2.85	271.00	
6	10	96	2.85	271.00	
7	10	96	2.85	271.00	
8	10	96	2.85	271.00	
9	10	96	2.85	271.00	
10	10	96	2.85	271.00	
11	10	96	2.85	271.00	
12	10	96	2.85	271.00	
13	10	96	2.85	271.00	
14	10	96	2.85	271.00	
15	10	96	2.85	271.00	
16	10	96	2.85	271.00	
17	10	96	2.85	271.00	
18	10	96	2.85	271.00	
19	10	96	2.85	271.00	
20	10	96	2.85	271.00	
21	10	96	2.85	271.00	
22	10	96	2.85	271.00	
23	10	96	2.85	271.00	
24	10	96	2.85	271.00	
25	10	96	2.85	271.00	
26	10	96	2.85	271.00	
27	10	96	2.85	271.00	
28	10	96	2.85	271.00	
29	10	96	2.85	271.00	
30	10	96	2.85	271.00	
31	10	96	2.85	271.00	
32	10	96	2.85	271.00	
33	10	96	2.85	271.00	
34	10	96	2.85	271.00	
35	10	96	2.85	271.00	
36	10	96	2.85	271.00	
37	10	96	2.85	271.00	
38	10	96	2.85	271.00	
39	10	96	2.85	271.00	
40	10	96	2.85	271.00	
41	10	96	2.85	271.00	
42	10	96	2.85	271.00	
43	10	96	2.85	271.00	
44	10	96	2.85	271.00	
45	10	96	2.85	271.00	
46	10	96	2.85	271.00	
47	10	96	2.85	271.00	
48	10	96	2.85	271.00	
49	10	96	2.85	271.00	
50	10	96	2.85	271.00	
51	10	96	2.85	271.00	
52	10	96	2.85	271.00	
53	10	96	2.85	271.00	
54	10	96	2.85	271.00	
55	10	96	2.85	271.00	
56	10	96	2.85	271.00	
57	10	96	2.85	271.00	
58	10	96	2.85	271.00	
59	10	96	2.85	271.00	
60	10	96	2.85	271.00	
61	10	96	2.85	271.00	
62	10	96	2.85	271.00	
63	10	96	2.85	271.00	
64	10	96	2.85	271.00	
65	10	96	2.85	271.00	
66	10	96	2.85	271.00	
67	10	96	2.85	271.00	
68	10	96	2.85	271.00	
69	10	96	2.85	271.00	
70	10	96	2.85	271.00	
71	10	96	2.85	271.00	
72	10	96	2.85	271.00	
73	10	96	2.85	271.00	
74	10	96	2.85	271.00	
75	10	96	2.85	271.00	
76	10	96	2.85	271.00	
77	10	96	2.85	271.00	
78	10	96	2.85	271.00	
79	10	96	2.85	271.00	
80	10	96	2.85	271.00	
81	10	96	2.85	271.00	
82	10	96	2.85	271.00	
83	10	96	2.85	271.00	
84	10	96	2.85	271.00	
85	10	96	2.85	271.00	
86	10	96	2.85	271.00	
87	10	96	2.85	271.00	
88	10	96	2.85	271.00	
89	10	96	2.85	271.00	
90	10	96	2.85	271.00	
91	10	96	2.85	271.00	
92	10	96	2.85	271.00	
93	10	96	2.85	271.00	
94	10	96	2.85	271.00	
95	10	96	2.85	271.00	
96	10	96	2.85	271.00	
97	10	96	2.85	271.00	
98	10	96	2.85	271.00	
99	10	96	2.85	271.00	
100	10	96	2.85	271.00	
101	10	96	2.85	271.00	
102	10	96	2.85	271.00	
103	10	96	2.85	271.00	
104	10	96	2.85	271.00	
105	10	96	2.85	271.00	
106	10	96	2.85	271.00	
107	10	96	2.85	271.00	
108	10	96	2.85	271.00	
109	10	96	2.85	271.00	
110	10	96	2.85	271.00	
111	10	96	2.85	271.00	
112	10	96	2.85	271.00	
113	10	96	2.85	271.00	
114	10	96	2.85	271.00	
115	10	96	2.85	271.00	
116	10	96	2.85	271.00	
117	10	96	2.85	271.00	
118	10	96	2.85	271.00	
119	10	96	2.85	271.00	
120	10	96	2.85	271.00	
121	10	96	2.85	271.00	
122	10	96	2.85	271.00	
123	10	96	2.85	271.00	
124	10	96	2.85	271.00	
125	10	96	2.85	271.00	
126	10	96	2.85	271.00	
127	10	96	2.85	271.00	
128	10	96	2.85	271.00	
129	10	96	2.85	271.00	
130	10	96	2.85	271.00	
131	10	96	2.85	271.00	
132	10	96	2.85	271.00	
133	10	96	2.85	271.00	
134	10	96	2.85	271.00	
135	10	96	2.85	271.00	
136	10	96	2.85	271.00	
137	10	96	2.85	271.00	
138	10	96	2.85	271.00	
139	10	96	2.85	271.00	
140	10	96	2.85	271.00	
141	10	96	2.85	271.00	
142	10	96	2.85	271.00	
143	10	96	2.85	271.00	
144	10	96	2.85	271.00	
145	10	96	2.85	271.00	
146	10	96	2.85	271.00	
147	10	96	2.85	271.00	
148	10	96	2.85	271.00	
149	10	96	2.85	271.00	
150	10	96	2.85	271.00	
151	10	96	2.85	271.00	
152	10	96	2.85	271.00	
153	10	96	2.85	271.00	
154	10	96	2.85	271.00	
155	10	96	2.85	271.00	
156	10	96	2.85	271.00	
157	10	96	2.85	271.00	
158	10	96	2.85	271.00	
159	10	96	2.85	271.00	
160	10	96	2.85	271.00	
161	10	96	2.85	271.00	
162	10	96	2.85	271.00	
163	10	96	2.85	271.00	
164	10	96	2.85	271.00	
165	10	96	2.85	271.00	
166	10	96	2.85	271.00	
167	10	96	2.85	271.00	
168	10	96	2.85	271.00	
169	10	96	2.85	271.00	
170	10	96	2.85	271.00	
171	10	96	2.85	271.00	
172	10	96	2.85	271.00	
173	10	96	2.85	271.00	
174	10	96	2		